

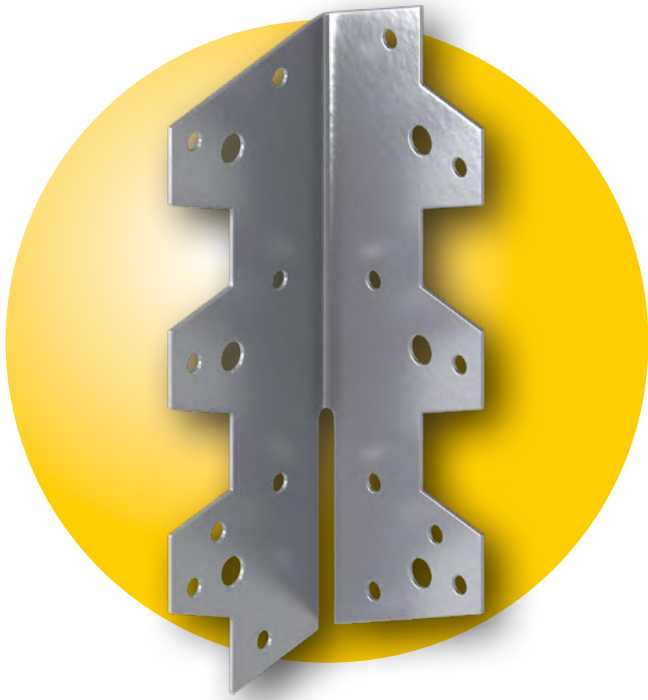
ENGINEERED BUILDING PRODUCTS

Universal
TRIP-L-GRIP
STAINLESS STEEL



MiTek[®]

mitek.com.au



THE VERSATILE TIMBER FRAMING ANCHOR FOR CORROSIVE ENVIRONMENTS

APPLICATION:

The Stainless Steel Universal Trip-L-Grip has been developed as an economical connecting unit to simplify structural jointing in timber roof, wall, ceiling and floor framing. Stainless Steel Universal Trip-L-Grips are the strongest and most economical anchorage for timber joints in corrosive environments.

ADVANTAGES

- Universal Trip-L-Grip can be formed by the builder on the job as required for various connections.
- The design incorporates fold points so that it can be bent on the job to suit any application.
- Universal Trip-L-Grip reduces the need for a variety of connectors because of its suitability for an extremely wide variety of applications.
- By eliminating notches, halved joints and other difficult and time consuming carpentry techniques, it is ideal for both the professional builder and home handyman.

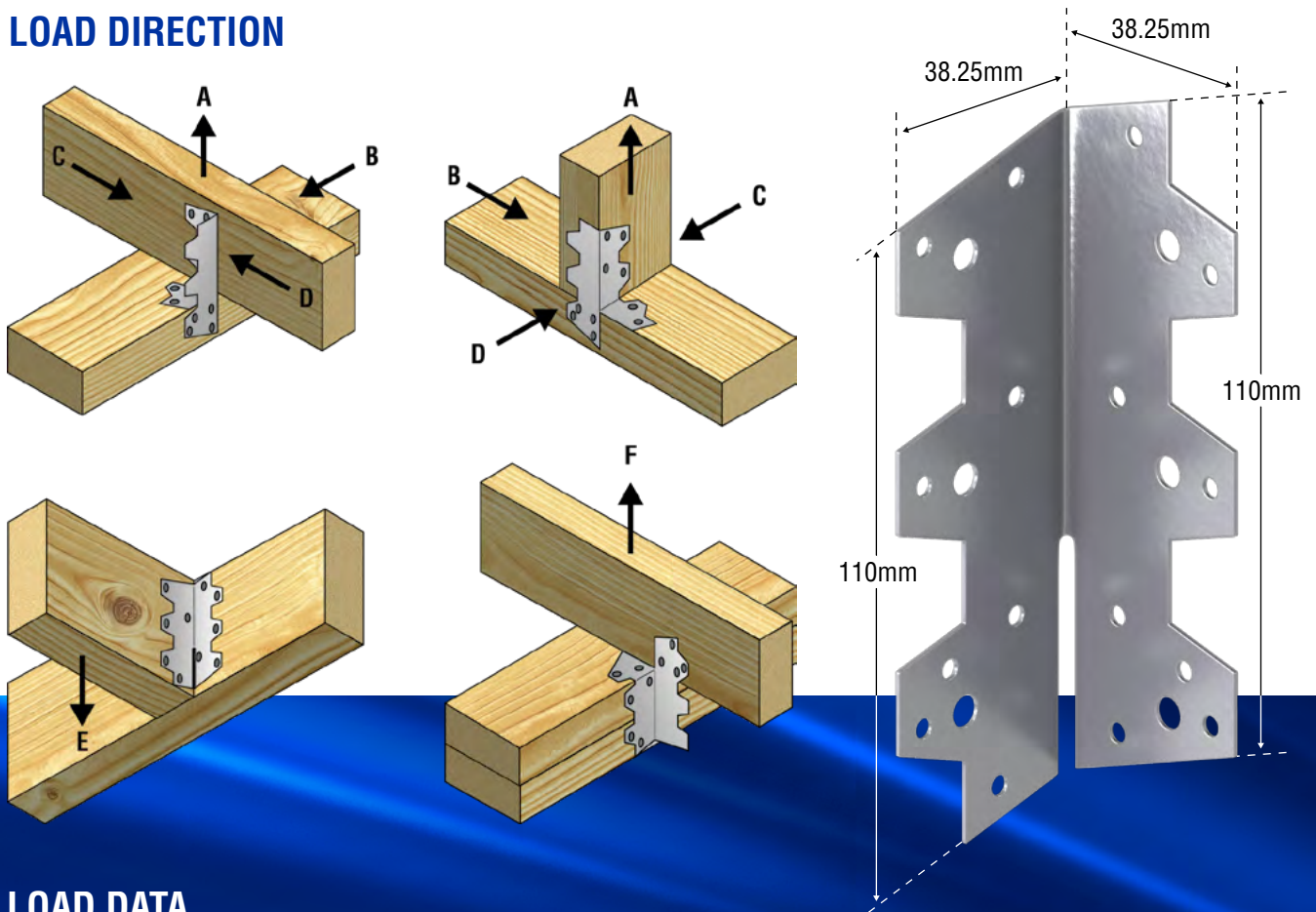
SPECIFICATIONS:

Steel Grade	Stainless Steel 304-2B
Thickness (Total Coated)	0.9mm
Nails	MiTek 30 x 2.8mm stainless steel or MiTek 30 x 3.15mm annular groove stainless steel 304
Product Code	TGUSS

For durability information, please refer to **Corrosion Resistance of MiTek Metal Connectors**, available on the MiTek website at mitek.com.au

This Certified Engineering Building Product complies with the National Construction Code and Australian Standards.

LOAD DIRECTION



LOAD DATA

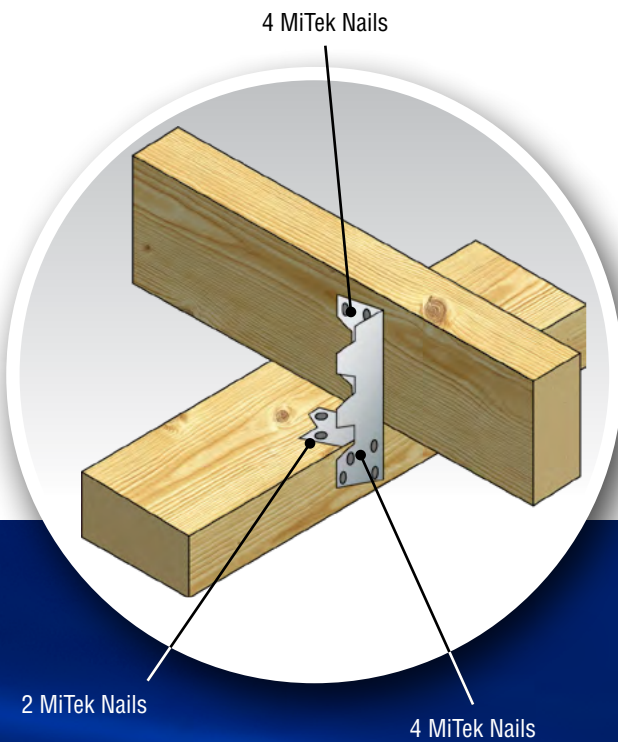
Limit State Design Capacity (kN)										
Load Direction	Load Case	Joint Group								
		J2	J3	J4	J5	J6	JD3	JD4	JD5	JD6
A	DL Only	1.9	1.3	0.9	0.6	0.4	1.9	1.1	1.0	0.7
	DL + WL	3.7	2.6	1.7	1.1	0.8	3.7	2.3	2.0	1.5
B	DL Only	3.1	2.3	1.7	1.3	0.9	3.1	2.3	1.9	1.4
	DL + WL	6.3	4.6	3.4	2.6	1.8	6.3	4.6	3.7	2.8
C / D	DL Only	2.1	1.6	1.1	0.9	0.6	2.1	1.6	1.3	1.0
	DL + WL	3.9	3.0	2.3	1.7	1.3	3.6	2.5	1.9	1.4
E	DL Only	2.4	1.7	1.3	0.9	0.6	2.4	1.7	1.4	1.0
	DL + Roof LL	3.3	2.3	1.7	1.2	0.8	3.3	2.3	1.9	1.4
	DL + WL	4.9	3.4	2.3	2.0	1.5	4.9	3.4	2.9	2.2
F	DL Only	1.0	0.7	0.5	0.4	0.3	1.0	0.7	0.6	0.4
	DL + WL	2.0	1.5	1.1	0.8	0.5	2.0	1.5	1.1	0.9

Values in this table incorporate the Category 1 capacity factor (ϕ) for houses. For other categories, multiply the design capacities by the following factors. Refer to AS1720.1 for a full definition of each category.

Category	1	2	3
Adjustment factor	1.00	0.94	0.88

INSTALLATION

1. Fix 10 MiTek stainless steel nails in positions shown according to connector orientation.



COMPLIANCE

Stainless Steel Universal Trip-L-Grip complies as a framing anchor and the corresponding alternative uplift capacities in AS 1684 may be used in designs within the confines of this standard.

DESIGN LOADS

When fixed as shown the design capacities in different directions are given in the Table on page 3.

