

# NOVAS

## Smart Lock Installation Instructions

Mark positions X and Y from the latch bolt onto the door jamb. **(Image. 1)**

Remove the backing of supplied stick-on template, and apply to door jamb. Ensure the lines "Front face of Lock Latch" on the door jamb are aligned.

Prepare door jamb as per appropriate installation type - **Steel (Page 2) / Timber (Page3)**

Ensure all wiring is correctly connected and not rubbing on sharp edges or interfering with any strike mechanism.

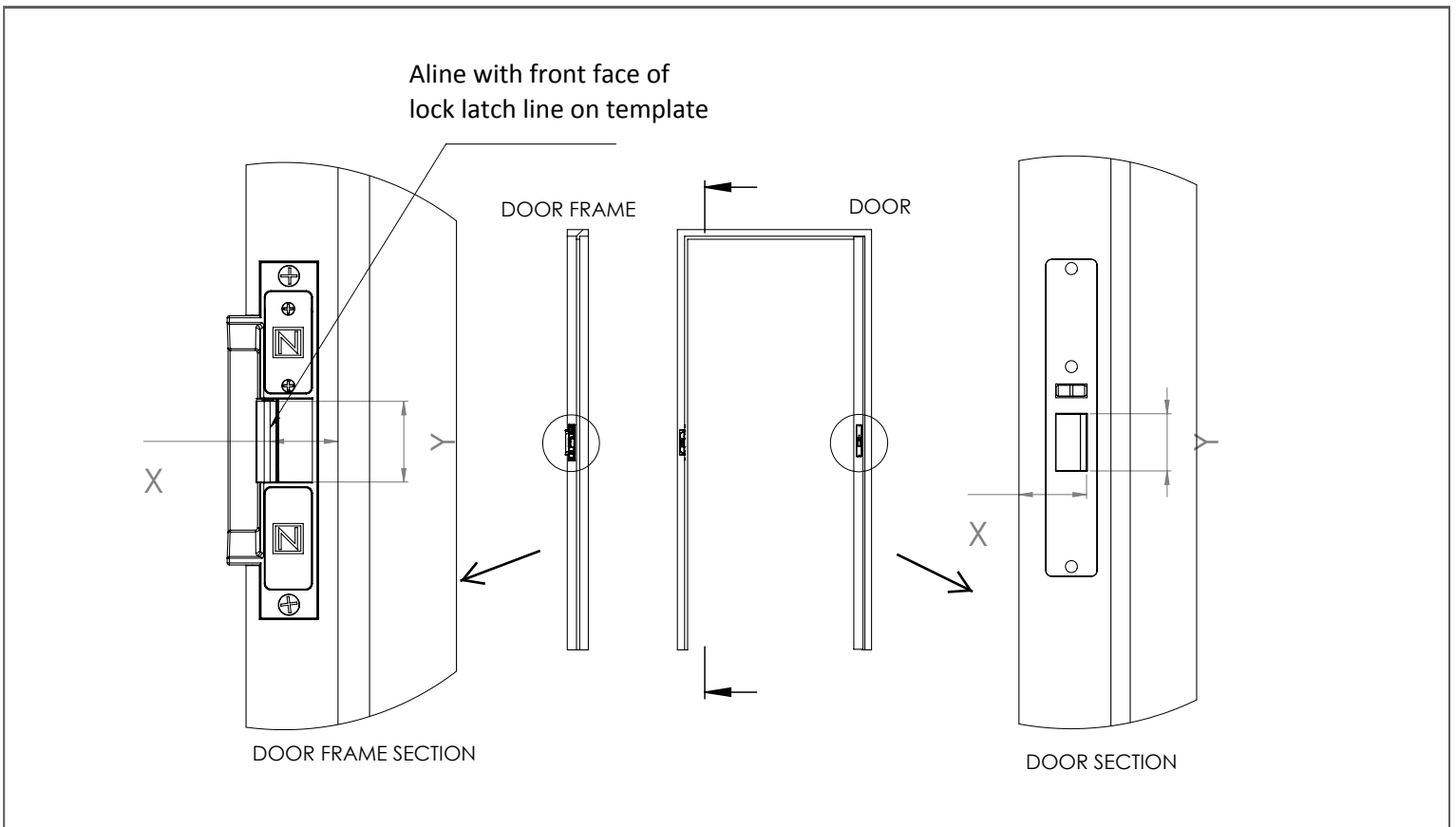
Install the strike temporarily in position and check there is no interference between the door, strike and lock face plates, and the extension lip of strike during door closing. Ensure the dead latching auxiliary bolt does not enter the strike keeper area when door is closed.

Check there is no pressure on the strike keeper when door is closed.

When all above checks are complete, secure strike with appropriate screws and re-check operation

### Door Frame Preparation for Smart Lock Installation

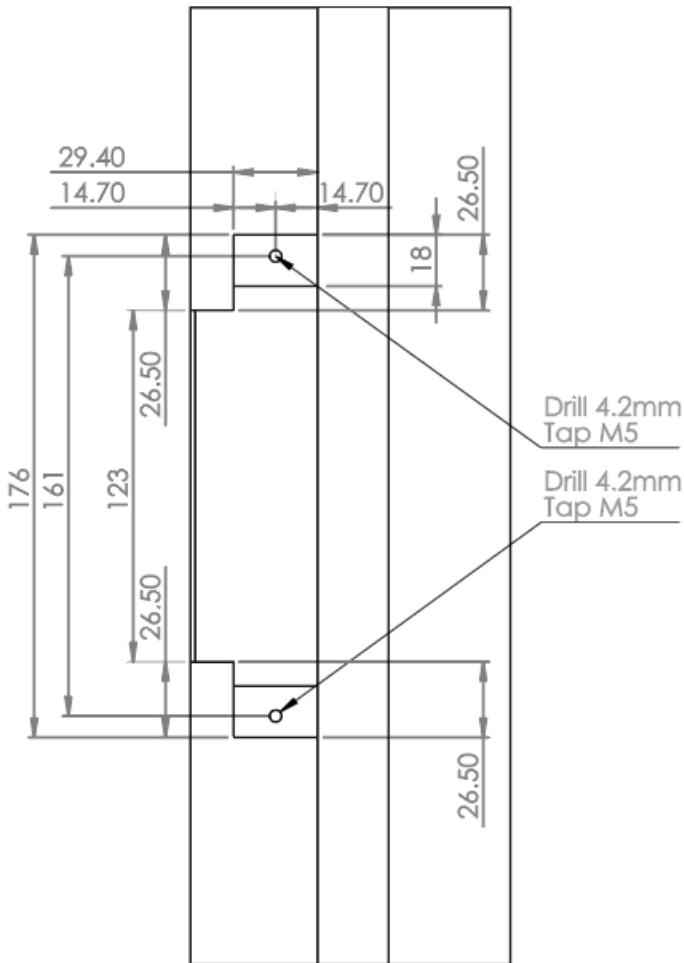
Image 1



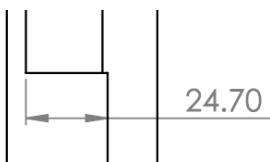
# NOVAS

Smart Lock Installation view - Metal (steel)

Image 2 - Door Frame Cutout Dimensions



Door Frame Depth Cut-out



Metal Tab Fabrication

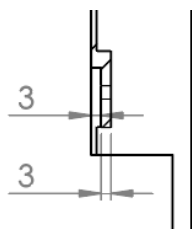
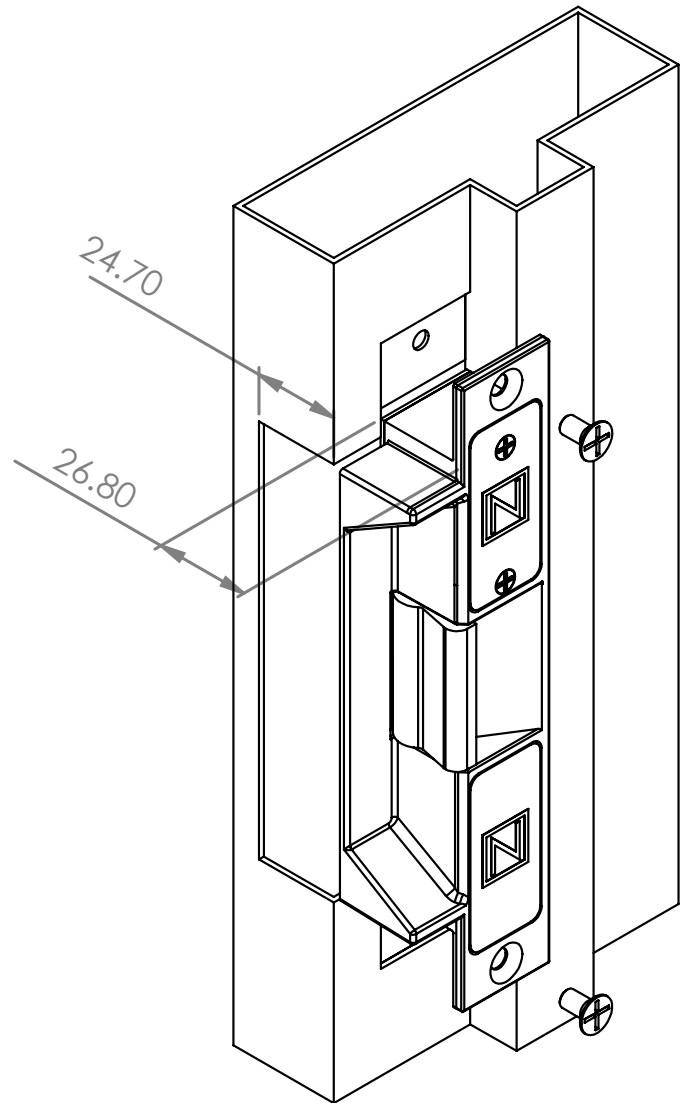


Image 3 - Door Frame Assembly



**Important Notes:**

- Referenced dimensions have a tolerance of +.10MM/ -.10MM.
- A 1mm clearance has been allowed for to prevent the door lock latch bolt holding pressure on the strike keeper when the door is closed.
- Allow sufficient space between the Electric strike unit and jamb cut-out for the wires. Bunching of wires may cause the unit to malfunction.
- Choose specific screws based on installation requirement. (Timber / Steel)

# NOVAS

## Smart Lock Installation view - Timber

Image 2 - Door Frame Cutout Dimensions

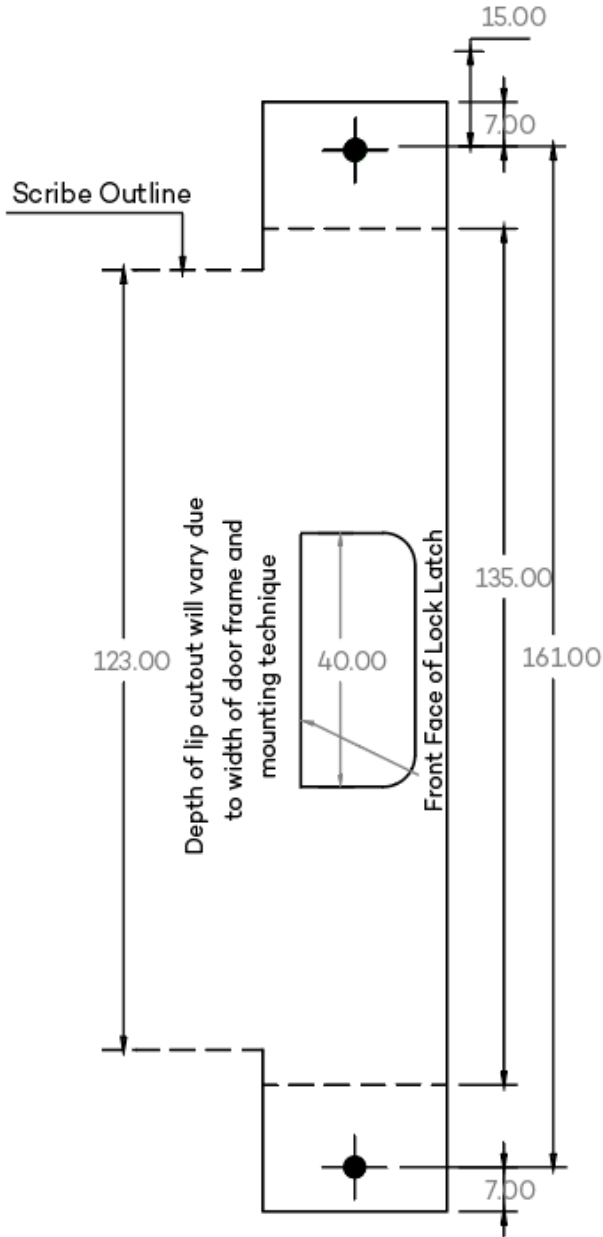
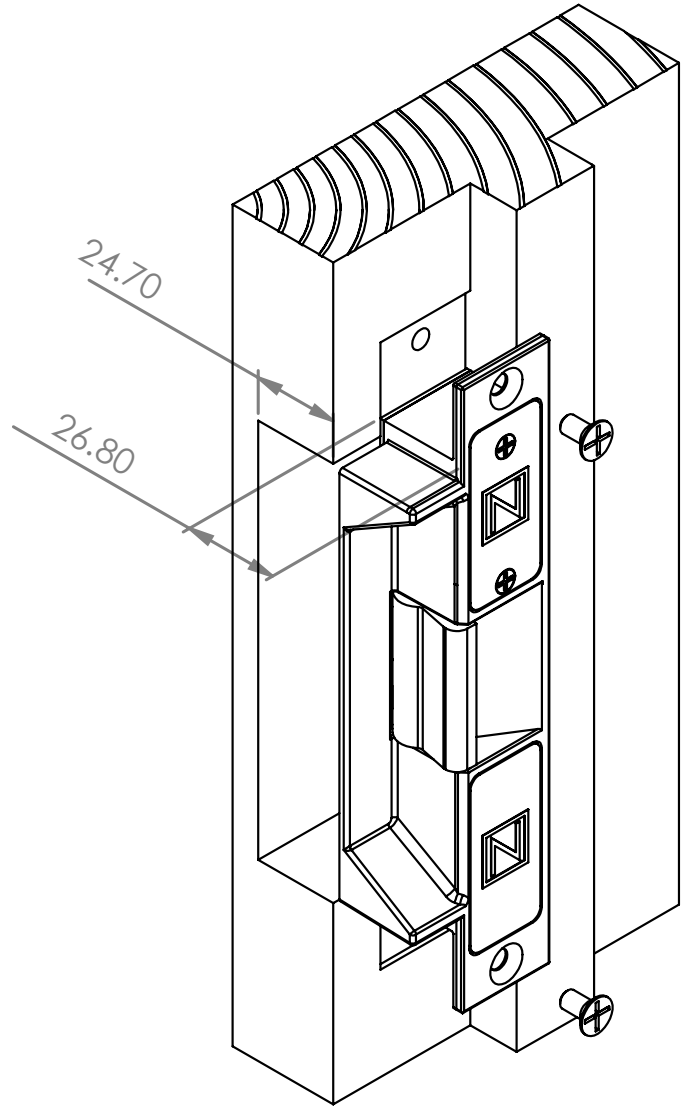


Image 3 - Door Frame Assembly



### Important Note:

- Referenced dimensions have a tolerance of +.10MM/ -.10MM.
- A 1mm clearance has been allowed for to prevent the door lock latch bolt holding pressure on the strike keeper when the door is closed.
- Allow sufficient space between the Electric strike unit and jamb cut-out for the wires. Bunching of wires may cause the unit to malfunction.
- Choose specific screws based on installation requirement. (Timber / Steel)